

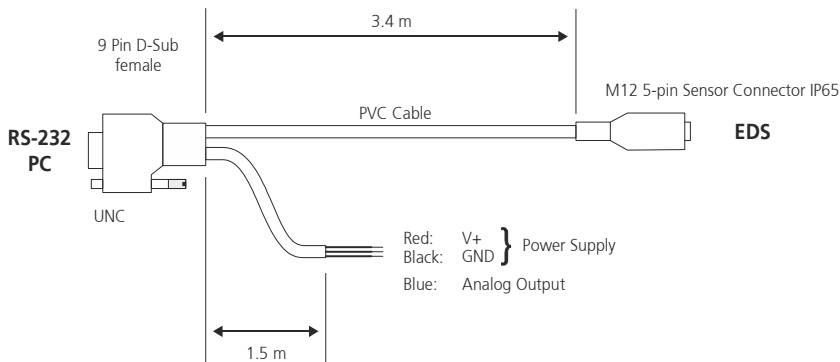
RS-232 Configuration Cable EDS

Part No. 500204

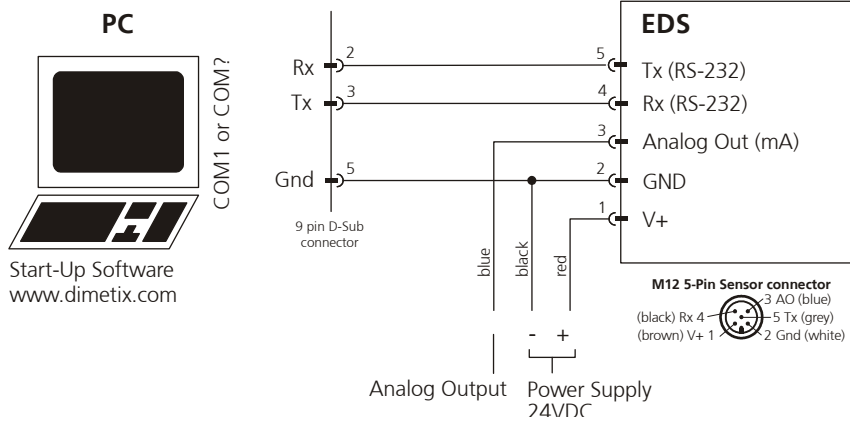


This RS-232 configuration cable is made to connect an EDS Laser Distance Sensor to a PC and power supply with the simple configuration.

Overview



Wiring diagram



Order information

Part No.	Description
500204	RS-232 Configuration cable EDS Length: 3.4 m, with M12 5 pin sensor connector IP65 and 9 pin D-Sub connector

18.08.2017 / Subject to change without notice

